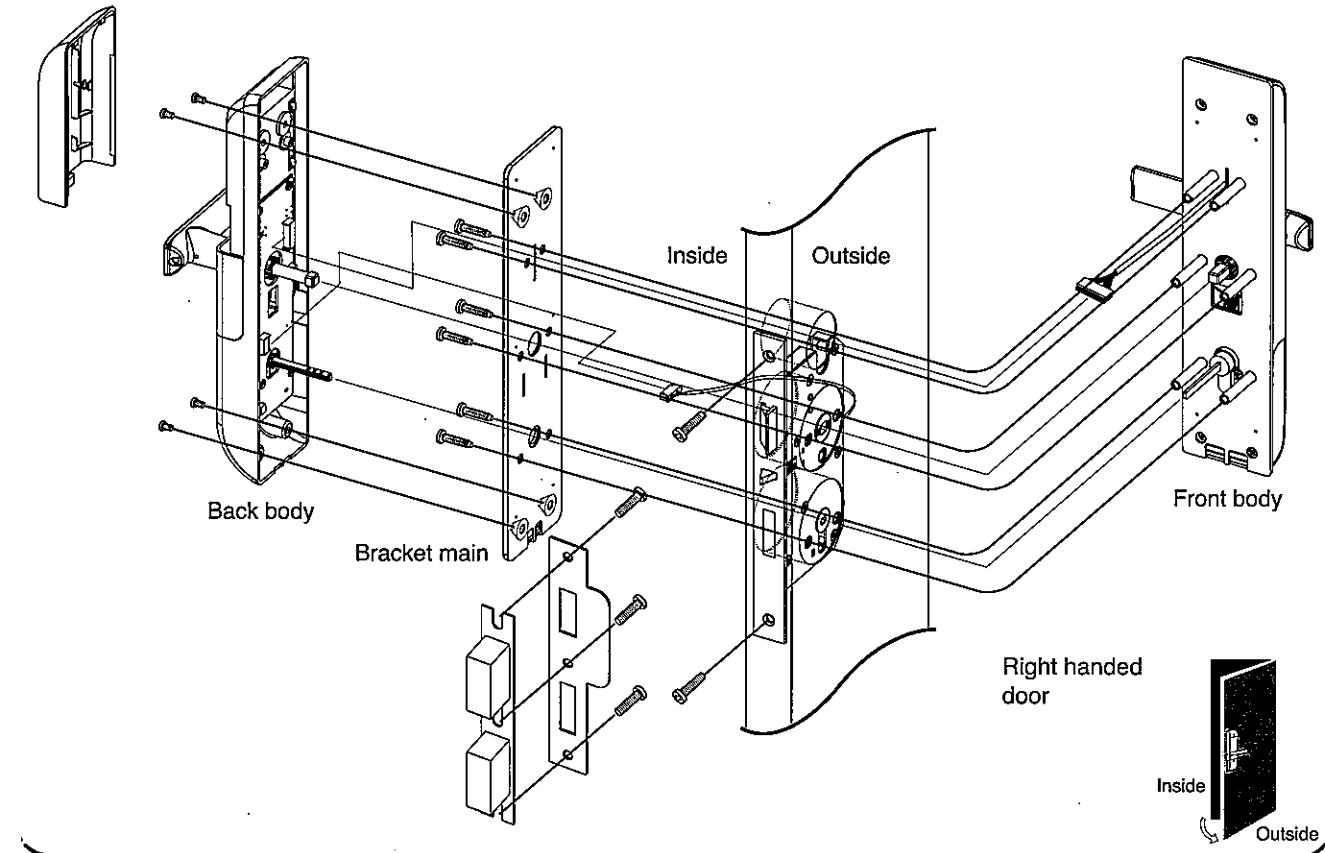


# Installation view

※ Factory default : Right handed door

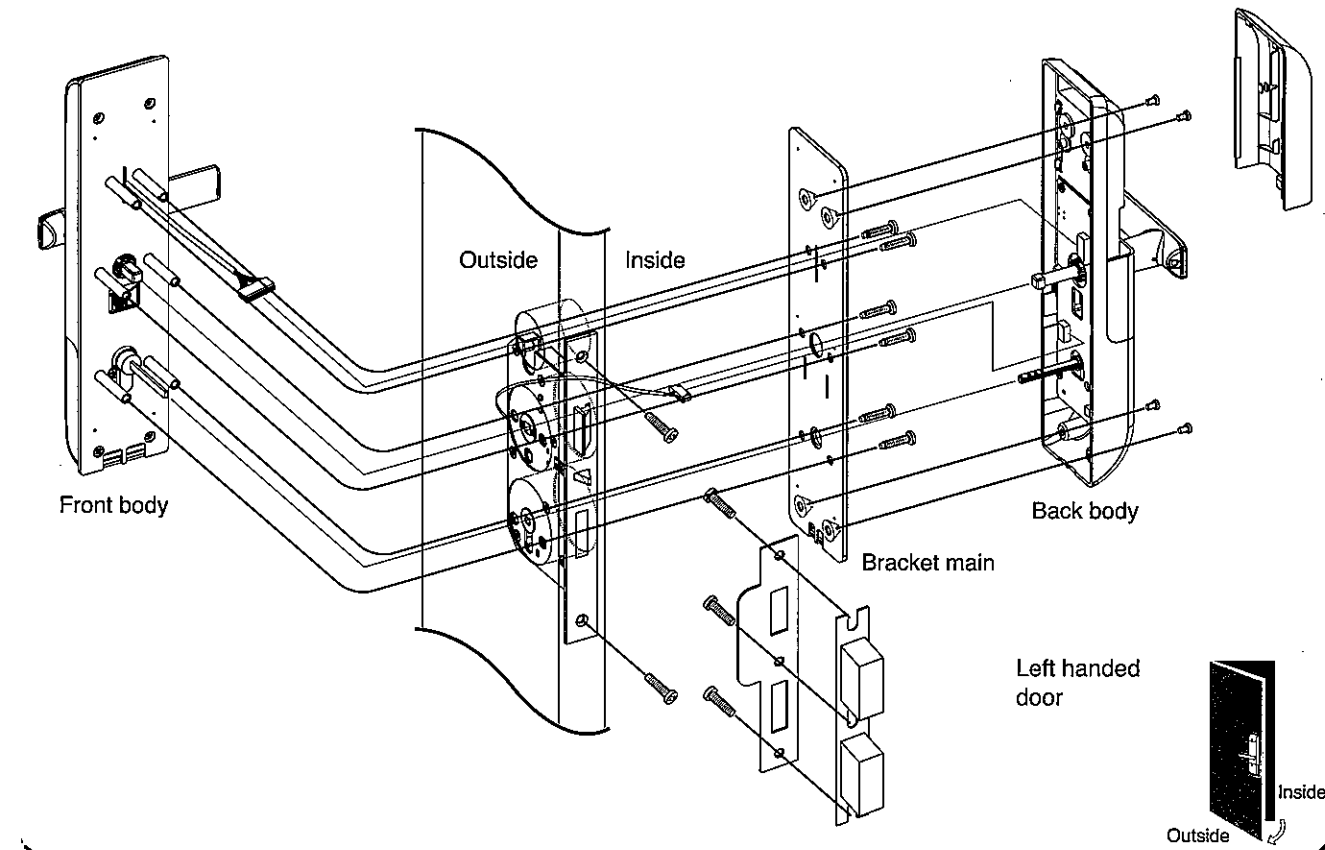
## Right handed door



※ Make sure to check door side before you install.  
(See "2 Determine door type")

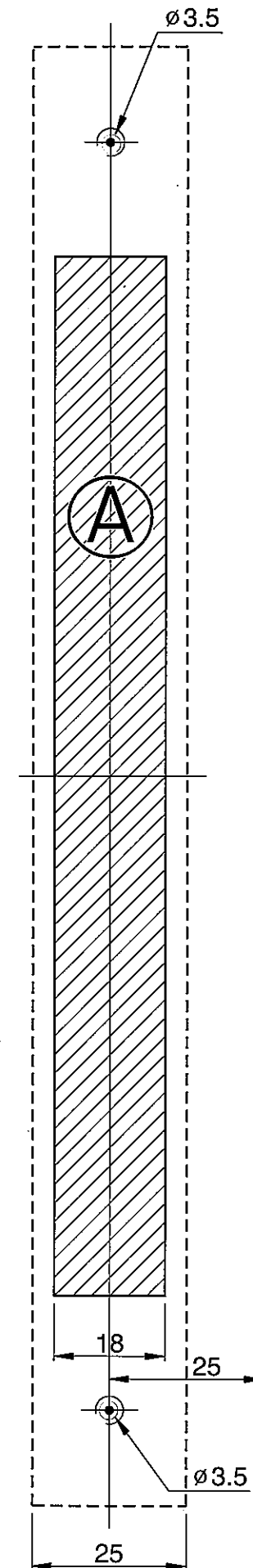
**how to set :** It automatically sets when putting batteries.  
The door should open position.

## Left handed door



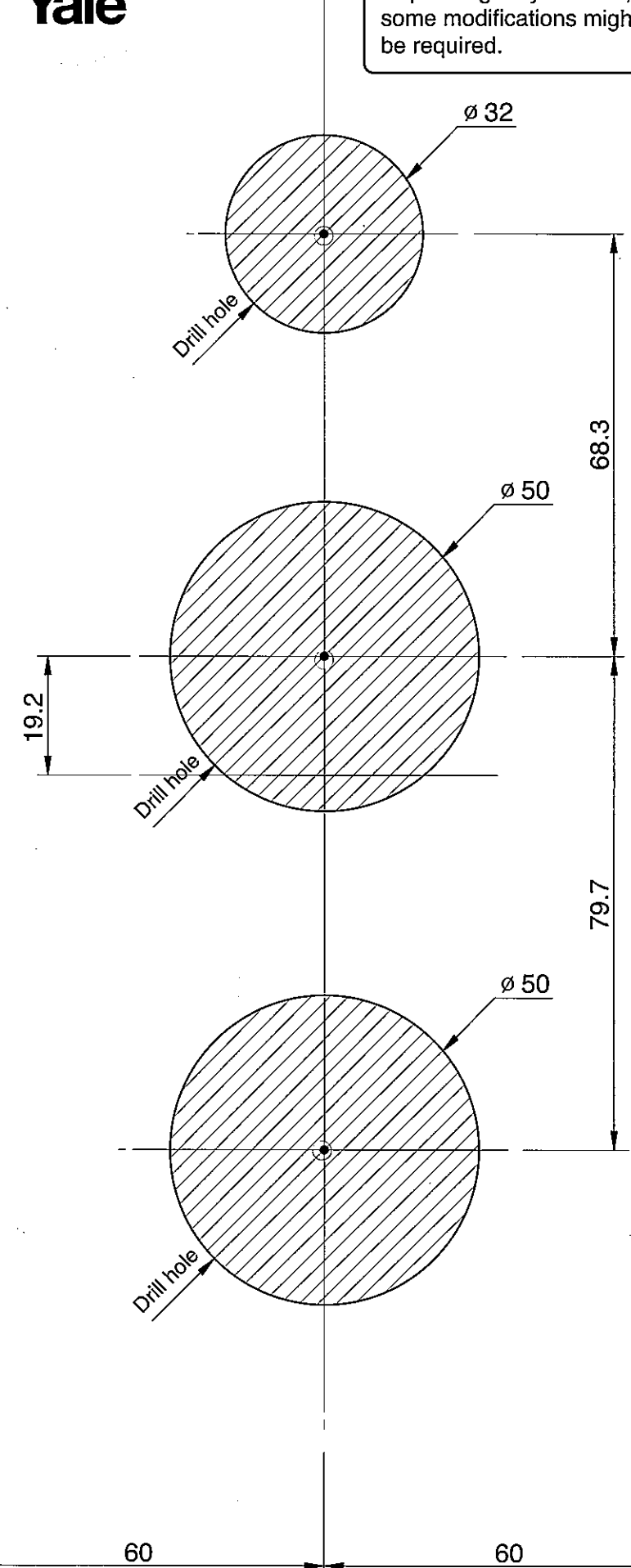
**Yale®**

**Caution**  
Depending on your door,  
some modifications might  
be required.

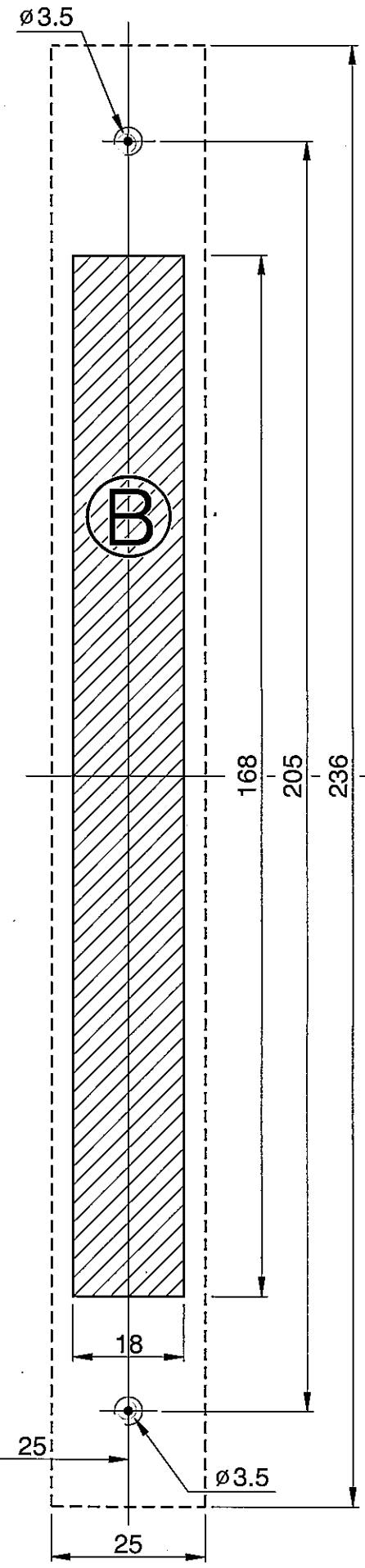


Fold the dotted line

**Caution**  
This template is based  
on 40mm thickness  
door.



Fold the dotted line



**Caution**  
Ⓐ and Ⓑ shaded parts indicate the hole for  
mortise installation. If necessary, door  
modification is required accordingly.

※ Factory default is right handed door.

■ Instruction

— Fixing screw

— Connection

### 1 Package check

※ According to model type, Front and Back body design can be differed.

(4EA) (6EA) (3EA) (2EA) (4EA)

### 2 Determine door type

① Right handed door

- Determine lever direction
- Right handed type
- Check mortise latch

② Left handed door

- Determine lever direction
- Left handed type
- Check mortise latch

Remove the screw on the bottom of latch, turn 180 degree and retighten the screw.

**This product automatically detects the right and left side door. (field reversible)**  
(how to set : It automatically sets when putting batteries. The door should open position.)

※ Lever direction adjustment : see left detail.

#### How to change lever direction!

△ Make sure to grab the lever for safety reason when you change the direction.

a Front body

Push down the lever stopper

e Back body

lever stopper

Push down the lever stopper

### 3 Hole cutting (Right handed door)

① Put mortise into the door

② Fold the template and mark the drilling points

③ Remove the mortise

Hole marking (nail, pen)

④ Drilling holes

⑤ Check the hole size and positions

before after

Remove the mortise when drilling otherwise mortise can be damaged.

**Caution**

Make sure the insert batteries when the door is open position.  
(Make sure that automatic right and left side door detection sets when the door is open position.)

### 4 Installation (Right handed door)

① Mortise installation

Make sure the panic function screws(2ea) on the mortise are fixed from the inside of door before mortise installation.

Fix the screws from the direction of the inside

Pull out mortise wire to inside

② Front body installation

According to the door thickness, cut the cylinder and knob shaft.

Cylinder Shaft

4.5mm Cutting line

Cut the shaft, according to the thickness of the door and mortise position.

a Front Body

Cut the shaft, according to the thickness of the door and mortise position.

5mm Cutting line

Thumb Turn Knob Shaft

e Back Body

③ Cable installation

④ Back body installation

⑤ Striker installation

⑥ After installation

open status (O) (X)

Detail view

Detail view

Outside Inside

Outside Inside

**Check points for Installer**

- The default Security Code is 1234567890  
Test the Security Code works by pressing \* 1234567890 \*
- After key (Fingerprint, card, i-button) registration, check the lock open.
- Check the Automatic Locking works properly.  
The door should be automatically locks in 5 seconds after closing.
- Explain Safe handle and how to set.

**Check points for Owner**

- Re-register your own Security Code.
- Read the User Manual before further use.
- Register your own keys.
- Understand the Emergency Power Supply feature.
- Understand the Forced Lock Modes.

■ Manual Lock Mode

Press M Button

Automatic Mode → Manual Mode

■ Automatic Lock Mode

Press A Button

Manual Mode → Automatic Mode