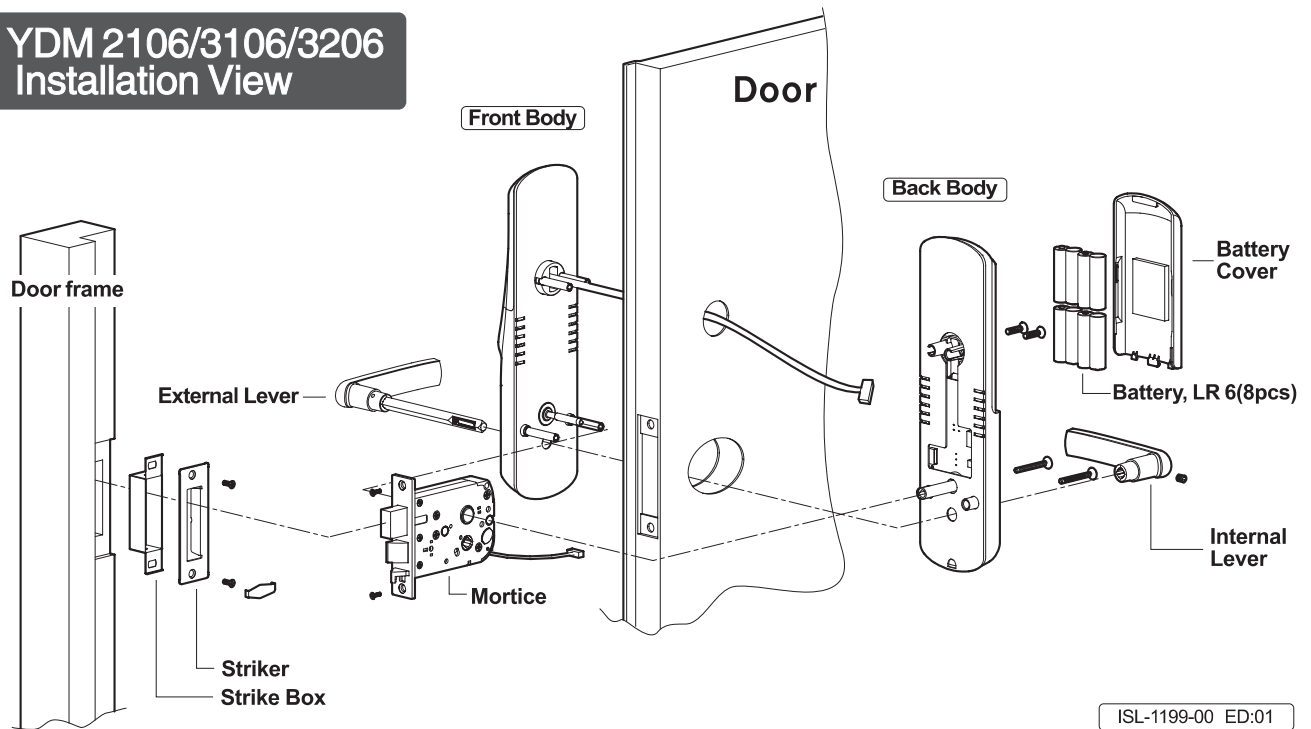


YDM 2106/3106/3206 Installation View



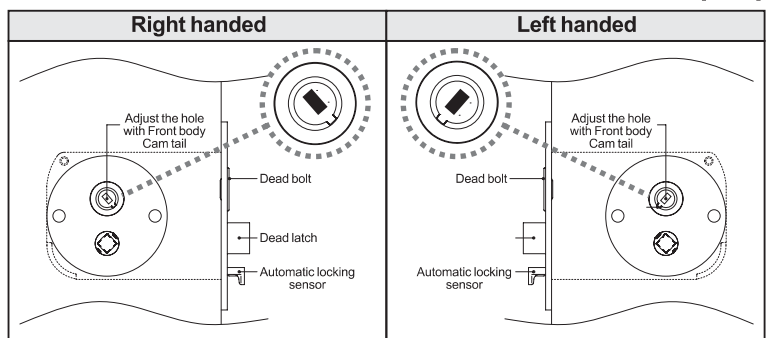
ISL-1199-00 ED:01

Installation Instructions

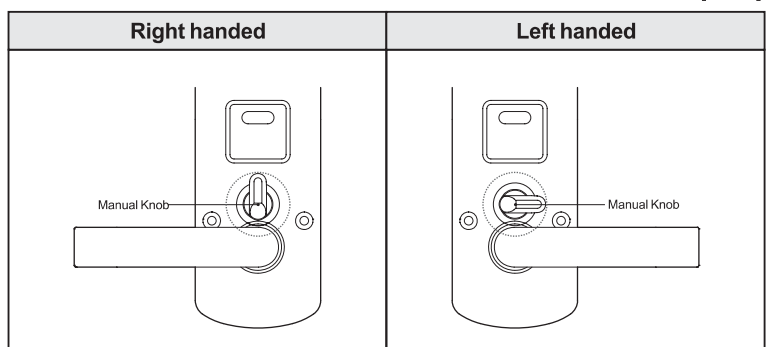
Installation procedure

1. According to the door type, fold the installation template.
2. Attached the installation template on the outside of the door, according to the installation template, make hole follow by installation template.
3. Determine whether the door should use the left handed or the right handed mortise. If the dead latch direction is not correct, adjust the dead latch using T type Pin.
4. Install the mortise with 2 screws
5. Put the Back Body on the door panel with the posts passing through the hole. Make sure to adjust the cam tail and hub position as Pic. 1
6. Connect the Front Body wire to the main PCB (2 pcs. 1 for Front and Back Body and 1 for mortise with Back Body)
7. Install the Back Body. Cam tail should be located in center of Back Body post.
8. Fix the Back Body with 4 screws.
9. Put the External lever into the Front body as Pic. 2
10. Tighten the Internal Lever with socket screw and hexagon wrench.
11. Insert the batteries and check the operation.

[Pic.1]



[Pic.2]



Check points for installer

1. The default security code is '1234567890'.
2. Check the Automatic locking function works properly.

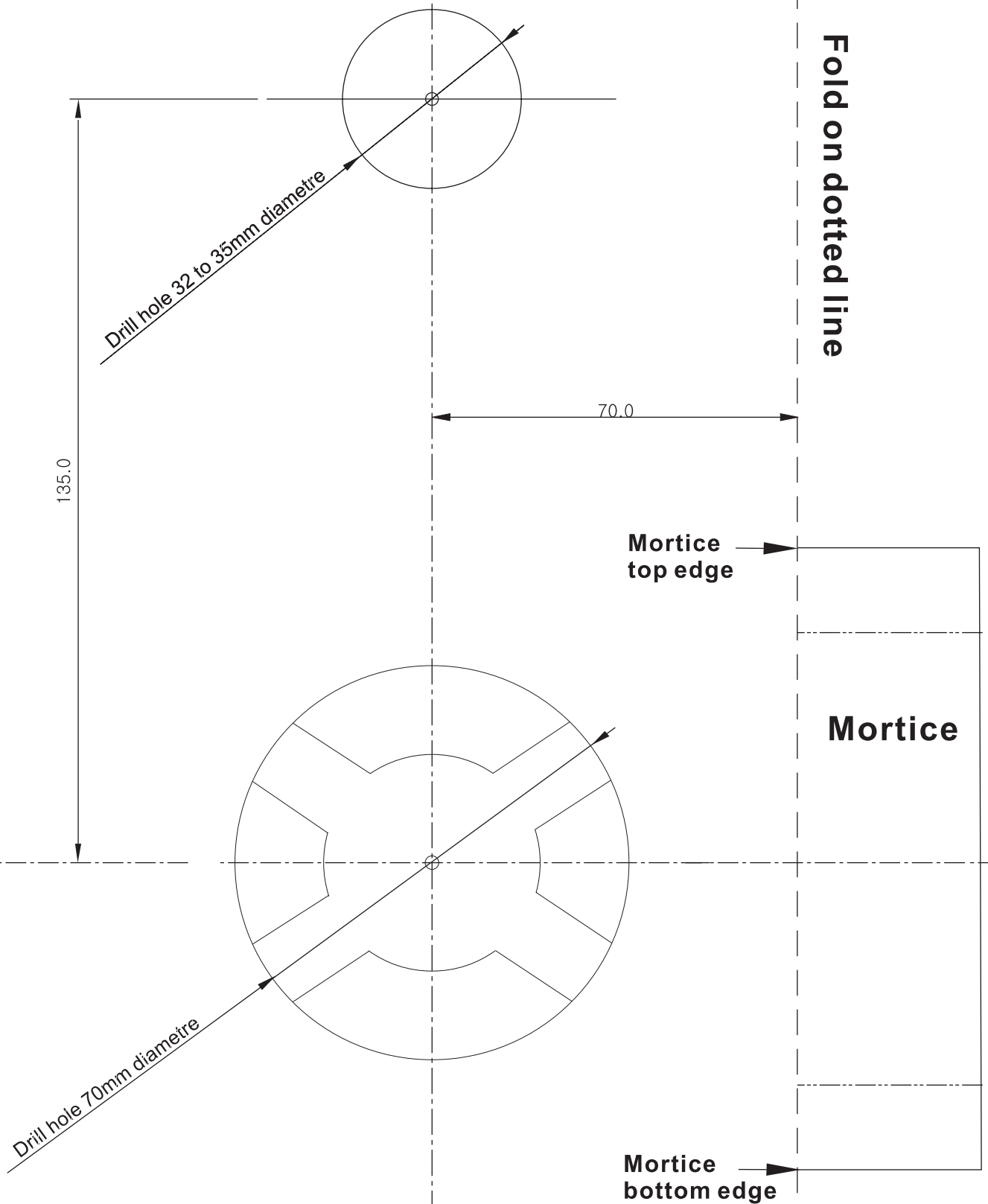
Check points for Owner

1. Register your own key and security code.
2. Understand Emergency power supply function.



The world's favourite lock

YDM2106/3106/3206
Installation template

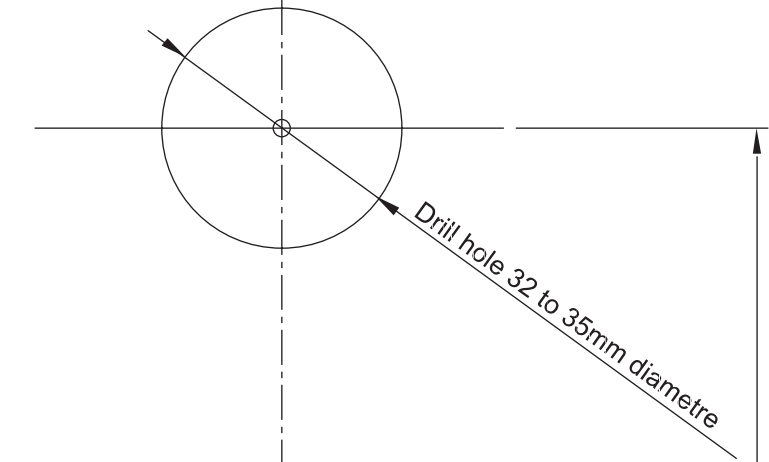




The world's favourite lock

YDM2106/3106/3206
Installation template

Fold on dotted line



Mortice
top edge

Mortice

